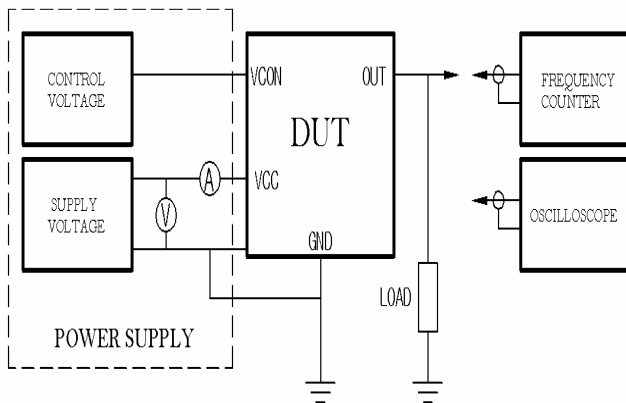


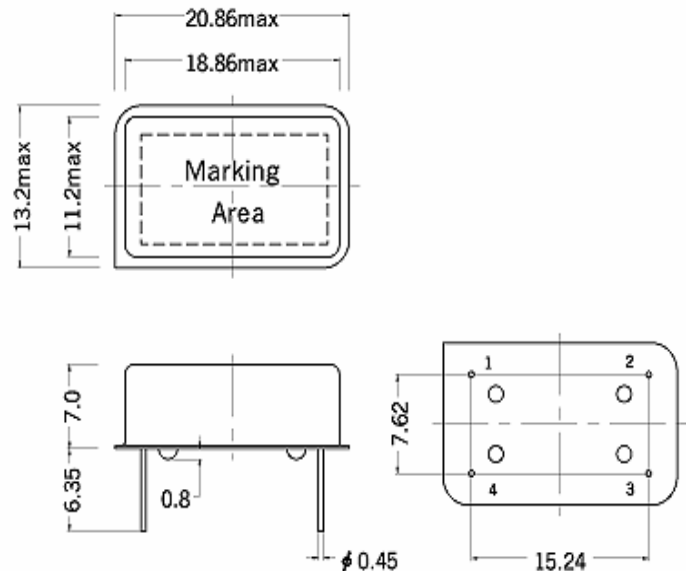
General Specification

| Model | | T4H6 | T4H2 | UNIT / LIMIT |
|---|------------------------|------------------------|----------------|-------------------------|
| Frequency Range | | 12~35MHz | 2~35MHz | |
| Applications | | TCXO | | |
| Supply Voltage | | Vdd= 5.0V | | |
| Load | | 10kΩ//10pF | 15pF | V ± 5% ± 10% |
| Operating Temp. | | -30~0°C to 50~75°C | | |
| Frequency Stability | vs. Temp. | ± 2.0 ~ ± 10 ppm | | Ref to 25°C ± 2°C |
| | vs. Volt. | ± 0.5 / Vcc ± 5% | | ppm / max |
| | vs. Load | ± 0.2 / Load ± 10% | | ppm / max |
| | Aging | ± 1.0 | | ppm max / First year |
| | Tolerance | ± 2.0 | | ppm max / at 25°C ± 2°C |
| Output | Level | 5.0Vcc ▶ 1.0 | HCMOS / TTL | Vp-p/min |
| | Wave Form. | Clipped sine wave | Retangular | |
| Supply Current | | 5.0Vcc ▶ 2.0 | 20 max | mA / max |
| Frequency Adj. | | ± 3 (internal trimmer) | | |
| Voltage Control + TCXO(Same Above Charcateristic) | | | | |
| Model | | VT4H6 | VT4H2 | UNIT / LIMIT |
| Applications | | VTCXO | | |
| VT | Supply Voltage (Vdd) | 5.0V ± 5% | | |
| | Control Voltage (Vcon) | Freq. DEV. | ± 5.0 ~ ± 20.0 | |
| | | Volt. | 2.5 ± 2.0 | |

TEST CIRCUIT



DIMENSION



PIN CONNECTION

| PIN | T4H2/T4H6 | VT4H2/H6 |
|-----|-----------|----------|
| 1 | N/C | Vc |
| 2 | Ground | Ground |
| 3 | Output | Output |
| 4 | Vcc | Vcc |

UNIT : mm

TOLERANCE UNLESS OTHERWISE SPECIFIED : ± 0.3

Ordering Guide

Typical P/N : VT - 4H6 - 10M - 4 - 25 - D - a - 5 - BU

| | | | | | | | | |
|----|----|----|----|----|----|----|----|----|
| #1 | #2 | #3 | #4 | #5 | #6 | #7 | #8 | #9 |
|----|----|----|----|----|----|----|----|----|

#1. TYPE

T-TCXO
 VT-VCTCXO

#2. MODEL (20.8x13.2 mm 4pin Weld TYP)

4H6 : Clipped Sine
 4H2 : TTL/HCMOS

#3. FREQUENCY

XX.xxxM-Nominal Frequency (MHZ)

#4. INPUT VOLTAGE

1 : Vcc= 2.5V
 2 : Vcc=2.8V
 3 : Vcc=3.0V
 4 : Vcc=3.3V
 5 : Vcc=5.0V

#5. FREQUENCY STABILITY

10 : ±1.0ppm max
 15 : ±1.5ppm max
 20 : ±2.0ppm max
 25 : ±2.5ppm max
 30 : ±3.0ppm max
 50 : ±5.0ppm max
 00 : others (ex: 10.0ppm max ▶ 100)

#6. Operating Temperature Range

A : 0°C ~ 50°C
 B : -10°C ~ 60°C
 C : -20°C ~ 70°C
 D : -30°C ~ 75°C
 E : -40°C ~ 85°C

#7. Output Load

a : 10kΩ//10pF
 b : 15pF
 c : others

#8. Frequency Deviation

Blank : No Connection (TCXO)
 5 : ±5ppm min
 10 : ±10ppm min

#9. Packing Method

TR : Tape & Reel
 BU : Bulk
 TU : TUBE