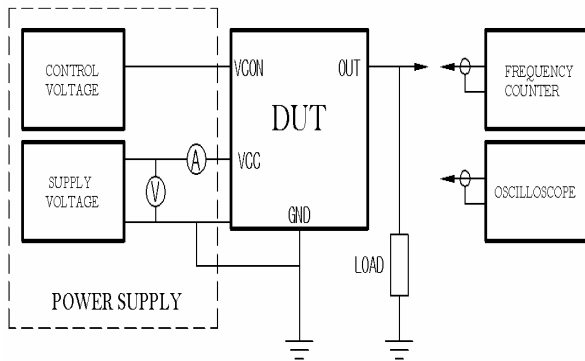


### General Specification

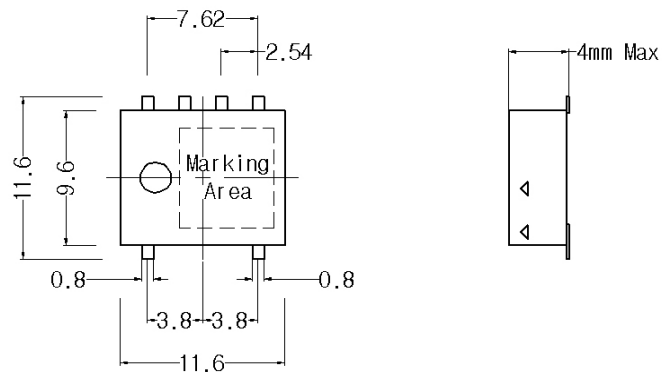
Model		T4G1	T4G2	UNIT / LIMIT
Frequency Range		10~30MHz	2~30MHz	
Applications		TCXO		
Supply Voltage		Vdd= 3.0/ 5.0V		
Load		10k $\Omega$ //10pF	15pF	$\pm 10\%$
Operating Temp.		-30~0 $^{\circ}$ C to 50~75 $^{\circ}$ C		
Frequency Stability	vs. Temp.	$\pm 2.5 \sim \pm 5.0$		Ref to 25 $^{\circ}$ C $\pm 2^{\circ}$ C
	vs. Volt.	$\pm 0.5 / V_{cc} \pm 5\%$		ppm / max
	vs. Load	$\pm 0.2 / \text{Load} \pm 10\%$		ppm / max
	Aging	$\pm 1.0$		ppm max / First year
	Tolerance	$\pm 0.5$		ppm max/ at 25 $^{\circ}$ C $\pm 2^{\circ}$ C
Output	Level	3.0Vcc $\triangleright$ 0.8, 5.0Vcc $\triangleright$ 1.0	HCMOS /TTL	Vp-p /min
	Wave Form.	Clipped sine wave	Retangular	
Supply Current		3.0Vcc $\triangleright$ 1.5, 5.0Vcc $\triangleright$ 2.0	20 max	mA/ max
Frequency Adj.		$\pm 3$ (by internal trimmer)		
<b>Voltage Control + TCXO(Same Above Charcateristic )</b>				
Model		VT4G1	VT4G2	UNIT / LIMIT
Applications		VTCXO		
*1	Supply Voltage (Vdd)	3.0V $\pm$ 5% or 5.0V $\pm$ 5%		
	Control Voltage (Vcon)	Freq. DEV.	$\pm 5.0$ or $\pm 15.0$	
VT	(Vcon)	Volt.	1.5 $\pm$ 1.0 or 2.5 $\pm$ 2.0	

\*1. VCTCXO  $\triangleright$  VT / TCXO  $\triangleright$  T ; Part Number ex) VT4G1 =VCTCXO 4G1 Type , T4G1=TCXO 4G1 Type}

#### TEST CIRCUIT

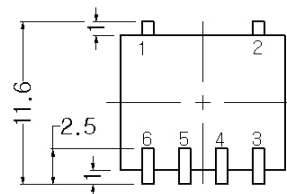


#### DIMENSION



#### PIN CONNECTION

PIN	T4G1/T4G2	VT4G1/G2
1	Case Gnd	Case Gnd
2	Case Gnd	Case Gnd
3	Output	Output
4	Ground	Ground
5	N/C	Vc
6	Vcc	Vcc



UNIT : mm

TOLERANCE UNLESS OTHERWISE SPECIFIED :  $\pm 0.3$

### Ordering Guide

**Typical P/N : VT - 4G1 - 10M - 4 - 25 - D - a - 5 - BU**

#1	#2	#3	#4	#5	#6	#7	#8	#9
----	----	----	----	----	----	----	----	----

**#1. TYPE**

T-TCXO  
 VT-VCTCXO

**#2. MODEL (11.4x9.6 mm 6pin Gull-wing)**

**4G1** : Clipped Sine  
**4G2** : TTL/HCMOS

**#3. FREQUENCY**

**XX.xxxM**-Nominal Frequency (MHZ)

**#4. INPUT VOLTAGE**

**1** : Vcc= 2.5V  
**2** : Vcc=2.8V  
**3** : Vcc=3.0V  
**4** : Vcc=3.3V  
**5** : Vcc=5.0V

**#5. FREQUENCY STABILITY**

**10** : ±1.0ppm max  
**15** : ±1.5ppm max  
**20** : ±2.0ppm max  
**25** : ±2.5ppm max  
**30** : ±3.0ppm max  
**50** : ±5.0ppm max  
**00** : others (ex: 10.0ppm max ▶ 100 )

**#6. Operating Temperature Range**

**A** : 0°C ~ 50°C  
**B** : -10°C ~ 60°C  
**C** : -20°C ~ 70°C  
**D** : -30°C ~ 75°C  
**E** : -40°C ~ 85°C

**#7. Output Load**

**a** : 10kΩ//10pF  
**b** : 15pF  
**c** : others

**#8. Frequency Deviation**

**Blank** : No Connection ( TCXO)  
**5** : ±5ppm min  
**10** : ±10ppm min

**#9. Packing Method**

**TR** : Tape & Reel  
**BU** : Bulk  
**TU** : TUBE