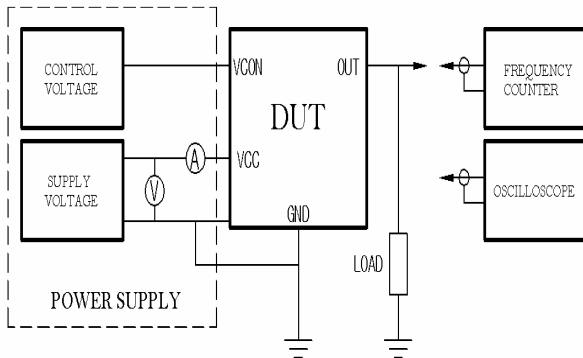


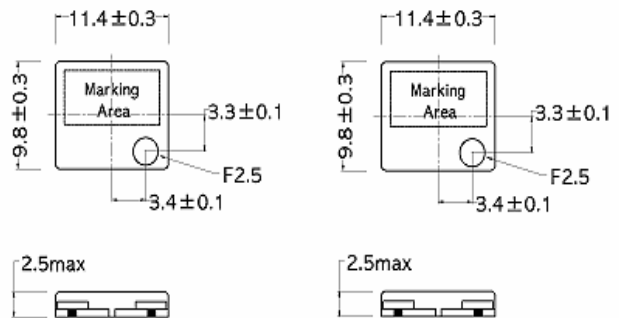
General Specification

Model		T4F6(6pad)	T4F4(4pad)	T4F4H(4pad)	UNIT / LIMIT	
Frequency Range		10~30MHz		2~30MHz		
Applications		TCXO				
Supply Voltage		Vdd= 3.0/ 5.0V				V ± 5%
Load		10k Ω //10pF		15pF	± 10%	
Operating Temp.		-30~0°C to 50~75°C				°C
Frequency Stability	vs. Temp.	± 2.5 ~ ± 5.0			Ref to 25°C ± 2°C	
	vs. Volt.	± 0.5 / Vcc ± 5%			ppm / max	
	vs. Load	± 0.2 / Load ± 10%			ppm / max	
	Aging	± 1.0			ppm max / First year	
	Tolerance	± 0.5			ppm max/ at 25°C ± 2°C	
Output	Level	3.0Vcc ▶ 0.8, 5.0Vcc ▶ 1.0		HCMOS / TTL	Vp-p/ min	
	Wave Form.	Clipped sine wave		Retangular		
Supply Current		3.0Vcc ▶ 1.5, 5.0Vcc ▶ 2.0		20 max	mA/ max	
Frequency Adj.		± 3 (By internal trimmer)			ppm / min	
Voltage Control + TCXO(Same Above Charcateristic)						
Model		VT4F6/VT4F4			UNIT / LIMIT	
Applications		VCTCXO				
VT	Supply Voltage (Vdd)		3.0V ± 5% or 5.0V ± 5%			
	Control Voltage (Vcon)	Freq. DEV.	± 5.0 or ± 15.0		N.A	ppm/ max
		Volt.	1.5 ± 1.0 or 2.5 ± 2.0		N.A	V

TEST CIRCUIT

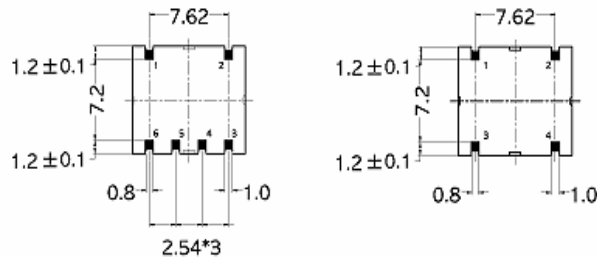


DIMENSION



PIN CONNECTION

PIN	T4F4/T4F4H	T4F6/VT4F6	VT4F4
1	N.C	Case Gnd	Vc
2	Case Gnd	Case Gnd	Case Gnd
3	Output	Output	Output
4	Vcc	Ground	Vcc
5		N.C/Vc	
6		Vcc	



UNIT : mm

TOLERANCE UNLESS OTHERWISE SPECIFIED : ± 0.3

Ordering Guide

Typical P/N : VT - 4F4 - 10M - 4 - 25 - D - a - 5 - TR

#1	#2	#3	#4	#5	#6	#7	#8	#9
----	----	----	----	----	----	----	----	----

#1. TYPE

T-TCXO

VT-VCTCXO

#2. MODEL (11.4x9.6 mm leadless 4,6pad)

4F4 : Clipped Sine , 4F4H : HCMOS/TTL ▶ 4p

4F6 : Clipped Sine , 4F6H : HCMOS/TTL ▶ 6p

#3. FREQUENCY

XX.xxxM-Nominal Frequency (MHZ)

#4. INPUT VOLTAGE

1 : Vcc= 2.5V

2 : Vcc=2.8V

3 : Vcc=3.0V

4 : Vcc=3.3V

5 : Vcc=5.0V

#5. FREQUENCY STABILITY

10 : ±1.0ppm max

15 : ±1.5ppm max

20 : ±2.0ppm max

25 : ±2.5ppm max

30 : ±3.0ppm max

50 : ±5.0ppm max

00 : others (ex: 10.0ppm max ▶ 100)

#6. Operating Temperature Range

A : 0°C ~ 50°C

B : -10°C ~ 60°C

C : -20°C ~ 70°C

D : -30°C ~ 75°C

E : -40°C ~ 85°C

#7. Output Load

a : 10kΩ//10pF

b : 15pF

c : others

#8. Frequency Deviation

Blank : No Connection (TCXO)

5 : ±5ppm min

10 : ±10ppm min

#9. Packing Method

TR : Tape & Reel

BU : Bulk

TU : TUBE

SAMJOON IND. Co., Ltd.

501 DAEMAEK PLAZA, SANG-DONG WONMI-KU, BUCHEON, KYUNGKI-DO KOREA ZIP : 420-031

◆ Tel:+82-32-326-8163 & 326-8164 ◆ Fax:+82-32-326-8162 ◆ Web site: www.samjoon.com