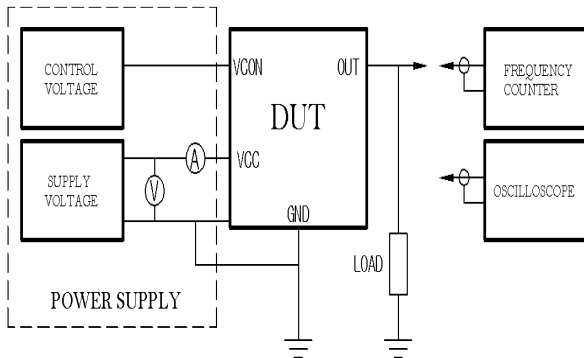


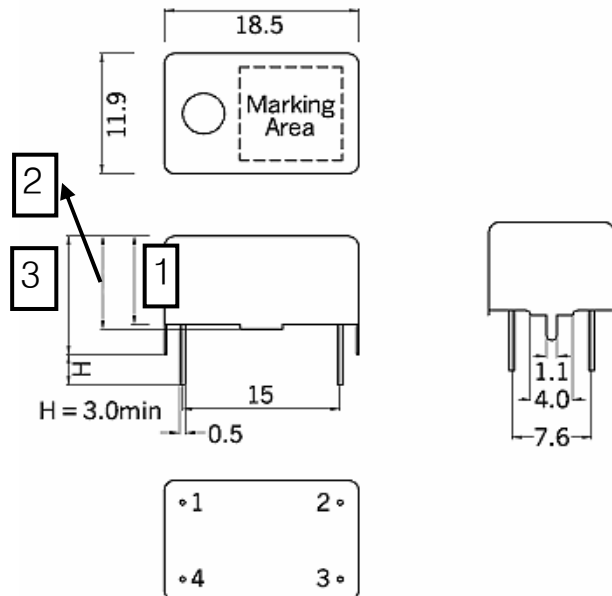
General Specification

Model		TCD2	TCD5	TCD6	UNIT / LIMIT
Frequency Range		2~35MHz	20~150MHz	12~35MHz	
Applications		TCXO			
Supply Voltage		Vdd= 5.0V			V ± 5%
Load		15pF	10kΩ//10pF		± 10%
Operating Temp.		-40~0°C to 50~85°C			°C
Frequency Stability	vs. Temp.	± 1.0. ~ ± 10.0			Ref to 25°C ± 2°C
	vs. Volt.	± 0.5 / Vcc ± 5%			ppm / max
	vs. Load	± 0.2 / Load ± 10%			ppm / max
	Aging	± 1.0			ppm max / First year
	Tolerance	± 0.5			ppm max / at 25°C ± 2°C
Output	Level	HCMOS / TTL		5.0Vcc > 1.0	Vp-p / min
	Wave Form.	Retangular		Clipped sine wave	
Supply Current		5.0Vcc > 20		2.0 max	mA / max
Frequency Adj.		± 3 (By internal trimmer)			ppm / min
Voltage Control + TCXO(Same Above Charcateristic)					
Model		VTCD2	VTCD5	VTCD6	UNIT / LIMIT
Applications		VCTCXO			
VT	Supply Voltage (Vdd)	5.0V ± 5%			
	Control Voltage (Vcon)	Freq. DEV.	± 5.0 ~ ± 20.0		ppm / max
		Volt.	2.5 ± 2.0		V

TEST CIRCUIT



DIMENSION



PIN CONNECTION

PIN	CD2/TCD5/TCD6, VTCD2/VTCD5/VTCD6
1	N.C(T) / Vc(VT)
2	Case Gnd
3	Output
4	Vcc

Height	H type	L type
1	8.7mm	5.7mm
2	9.2mm	6.2mm
3	11.7mm	8.7mm

UNIT : mm
 TOLERANCE UNLESS OTHERWISE SPECIFIED : ± 0.3

PACKAGE HEIGHT

Ordering Guide

Typical P/N : VT - CD6 - 10M - 4 - 25 - D - a - 5 - BU - A

#1	#2	#3	#4	#5	#6	#7	#8	#9
----	----	----	----	----	----	----	----	----

#1. TYPE

T-TCXO
 VT-VCTCXO

#2. MODEL (18.5x11.9 mm lead type)

CD6 : Clipped Sine
 CD2 & CD5 : HCMOS/TTL

#3. FREQUENCY

XX.xxxM-Nominal Frequency (MHZ)

#4. INPUT VOLTAGE

1 : Vcc= 2.5V
 2 : Vcc=2.8V
 3 : Vcc=3.0V
 4 : Vcc=3.3V
 5 : Vcc=5.0V

#5. FREQUENCY STABILITY

10 : ±1.0ppm max
 15 : ±1.5ppm max
 20 : ±2.0ppm max
 25 : ±2.5ppm max
 30 : ±3.0ppm max
 50 : ±5.0ppm max
 00 : others (ex: 10.0ppm max ▶ 100)

#6. Operating Temperature Range

A : 0°C ~ 50°C
 B : -10°C ~ 60°C
 C : -20°C ~ 70°C
 D : -30°C ~ 75°C
 E : -40°C ~ 85°C

#7. Output Load

a : 10kΩ//10pF
 b : 15pF
 c : others

#8. Frequency Deviation

Blank : No Connection (TCXO)
 5 : ±5ppm min
 10 : ±10ppm min

#9. Packing Method

TR : Tape & Reel
 BU : Bulk
 TU : TUBE

#10. Package Height

A : 6.2mm
 B : 9.2mm