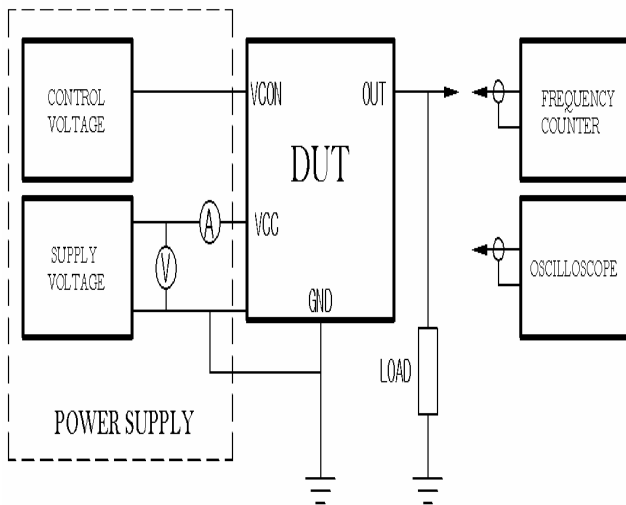


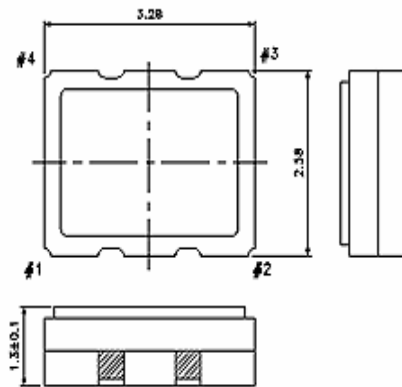
### General Specification

Model		T3DX	VT3DV	UNIT / LIMIT
Frequency Range		10~30MHz		
Applications		TCXO	VCTCXO	
Supply Voltage		Vdd= 2.8V or 3.3V		V±5%
Load		10kΩ//10pF		±10%
Operating Temp.		-40~ 85℃		℃
Frequency Stability	vs. Temp.	±2.0 ~ ±5 ppm		Ref to 25℃±2℃
	vs. Volt.	±0.3 / Vcc ±5%		ppm / max
	vs. Load	±0.3 / Load ±10%		ppm / max
	Aging	±1.0		ppm max / First year
	Tolerance	±1.0		ppm max/ at25℃±2℃
Output	Level	0.8		Vp-p / min
	Wave Form.	Clipped sine wave		
Start-up Time		10(2~3mS typ)		mS/ max
VT	Frequency Deviation	N.A		±10.0
	Control Voltage(Vcon)	N.A		1.5±1.0
Phase noise(Typical)		100Hz	1KHz	10KHz
		-110dBc/Hz	-130dBc/Hz	-140dBc/Hz

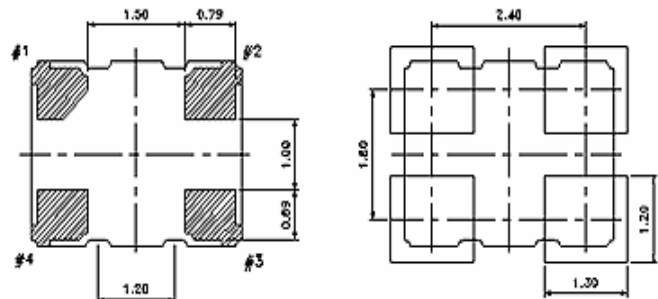
#### TEST CIRCUIT



#### DIMENSION



#### Reference Land Pattern



UNIT : mm

TOLERANCE UNLESS OTHERWISE SPECIFIED : ±0.3

#### PIN CONNECTION

PIN	T3DX	VT3DV
1	N/C	Vc
2	Ground	Ground
3	Output	Output
4	Vcc	Vcc

### Ordering Guide

**Typical P/N : VT3DV - 10M - 4 - 25 - D - a - 10 - TR**

#1	#2	#3	#4	#5	#6	#7	#8
----	----	----	----	----	----	----	----

**#1.MODEL(3.2x2.5 mm 4pad)**

T3DX : TCXO  
 VT3DV : VCTCXO

**#2. FREQUENCY**

XX.xxxM-Nominal Frequency (MHZ)

**#3.INPUT VOLTAGE**

1 : Vcc= 2.5V  
 2 : Vcc=2.8V  
 3 : Vcc=3.0V  
 4 : Vcc=3.3V

**#4.FREQUENCY STABILITY**

10 :±1.0ppm max  
 15 :±1.5ppm max  
 20 :±2.0ppm max  
 25 :±2.5ppm max  
 30 :±3.0ppm max  
 50 :±5.0ppm max  
 00 :others (ex: 10.0ppm max ▶ 100 )

**#5. Operating Temperature Range**

A : 0℃ ~ 50℃  
 B : -10℃ ~ 60℃  
 C : -20℃ ~ 70℃  
 D : -30℃ ~ 75℃  
 E : -40℃ ~ 85℃

**#6. Output Load**

a : 10kΩ//10pF  
 b : 15pF  
 c: others

**#7.Frequency Deviation**

Blank : No Connection ( TCXO)  
 5 : ±5ppm min  
 10 : ±10ppm min

**#8.Packing Method**

TR : Tape & Reel  
 BU : Bulk  
 TU : TUBE