

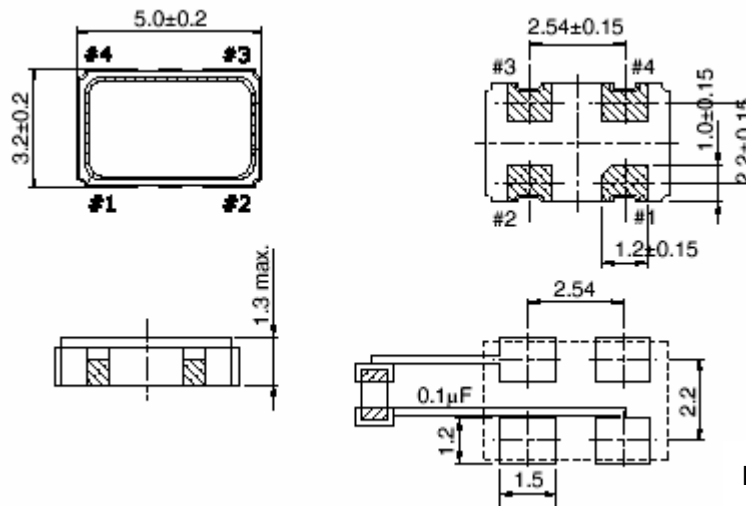
### Features

- HCMOS/TTL
- Ceramic SMD Package, Seam sealed, 5x3.2x1.3mm
- 1.8V / 2.5V / 3.3V / 5.0V Operation
- RoHS Compliant

### Specification

Parameter	Characteristic
Frequency Range	1.000MHz ~ 100.0000MHz
Frequency Stability	+/- 100ppm std. (See Table 4) Inclusive of Operating Temperature
Operating Temperature Range	0 ~ +70°C std. (See Table 5)
Storage Temperature Range	-55 ~ +125°C
Input Voltage	3.3Vdc +/- 10% std. (See Table 3)
Input Current	40mA max (See Table A)
Output 0 Level (Vol)	10%Vdc max
Output 1 Level (Voh)	90%Vdc min
Symmetry (Duty Cycle)	40/60%@1/2Vdc std. (See Table 6)
Rise & Fall Time	10nS max (See Table B)
Start Up Time	10mS max
Output waveform vs. Load	HCMOS-TTL / 15pF or 10TTL
Aging(at 25°C)	+/- 5ppm / year max

### Drawing



### Pin Connection

1. E/D or N.C
2. Ground
3. Output
4. Vcc

### Ordering Guide

Typical P/N : C53XH - 25M - 3 - 50 B S1 T -TR  
                                   1          2          3          4          5          6          7          8

**1. Package** C53XH = 5x3.2x1.3mm

(5x3.2mm Ceramic SMD Oscillator, HCMOS/TTL)

**2. Frequency range :** 1 to 100MHz (1.8/2.5/3.3V)  
                                   1 to 75MHz (5.0V)

**3. Input Voltage :**

- 1 : 1.8V
- 2 : 2.5V
- 3 : 3.3V
- 5 : 5.0V

**4. Frequency Stability**

- 00 : +/- 100ppm
- 50 : +/- 50ppm
- 25 : +/- 25ppm

**5. Operating Temperature Range**

- A : 0~70℃
- B : -20~70℃
- C : -40~85℃
- D : -10~70℃
- \* : The others

**6. Symmetry (Duty Cycle)**

- S1 : 45/55% at 1/2Vdc
- S2 : 40/60% at 1/2Vdc

**7. Pin#1 Connection**

- T : Tri-state
- Blank : No connection

**8. Packing**

- TR : Tape and Reel
- BU : Bulk
- TU : Tube

**A. Input Current**

(unit : mA)	5.0V	3.3V	2.5V	1.8V
1MHz to 19.999MHz	10	7	7	5
20MHz to 49.999MHz	30	20	15	15
50MHz to 69.999MHz	40	30	20	15
70MHz to 75MHz	40	30	20	20
75.001MHz to 100MHz	-	40	30	25

**B. Rise / Fall Time**

(unit : nS)	5.0V	3.3V	2.5V	1.8V
1MHz to 19.999MHz	8	10	10	10
20MHz to 49.999MHz	6	8	8	8
50MHz to 69.999MHz	6	6	6	6
70MHz to 75MHz	4	4	4	4
75.001MHz to 100MHz	-	4	4	4