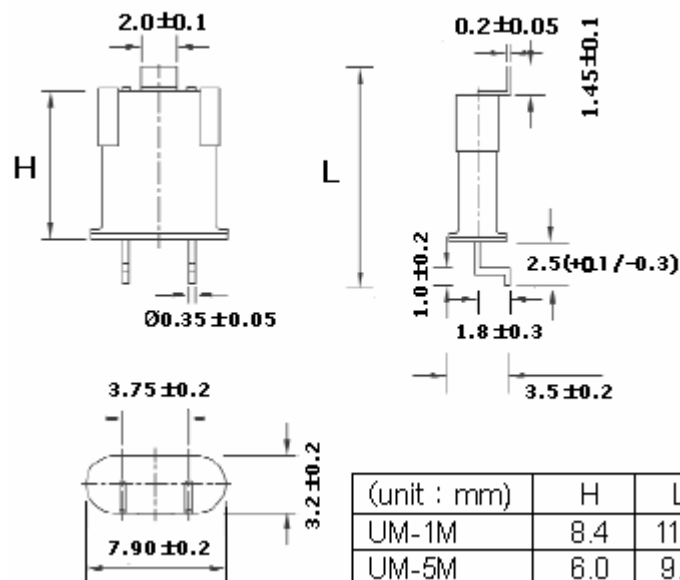


- TIGHT TOLERANCE & STABILITY, RoHS COMPLIANT DESIGN
- APPLICATION: ADSL, NETWORK CARD, A/V CARD, NETWORK PROCESSOR, ISDN

### Specification

Parameter	Characteristic
Frequency Range	3.5MHz ~ 160.000MHz
Oscillation Mode	Fundamental / Third overtone / Fifth overtone
Holder type	UM-1, UM-5
Frequency Tolerance ( @ 25℃)	(See Table 5)
Frequency Stability ( Ref. @ 25℃)	(See Table 6)
Equivalent Series Resistance (C.I)	(See Table 8)
Operating Temperature Range	-10 ~ +70℃ standard / -40 ~ +85℃ available
Storage Temperature Range	-40 ~ +90℃
Shunt Capacitance(Co)	7pF max
Load Capacitance(CL)	18pF standard (See Table 3)
Drive Level	10μW (1000μWmax)
Aging(at 25℃)	±5ppm / year max

### Drawing



**SAMJOON IND. Co., Ltd.**

501 DAEMA EK PLAZA, SANG-DONG WONMI-KU, BUCHEON, KYUNGKI-DO KOREA ZIP : 420-031

◆ Tel:+82-32-326-8163 & 326-8164 ◆ Fax:+82-32-326-8162 ◆ Web site: www.samjoon.com

### Ordering Guide

Typical P/N : UM-1M - 61.44M - 18 - 1 10 10 R - 50 - TR

1                      2                      3                      4                      5                      6                      7                      8                      9

#### 1. Package

UM-1M = 7.9x3.2x11.7mm

UM-5M = 7.9x3.2x9.9mm

(UM-1 & UM-5 Jacket - SMD - type Crystal Unit)

#### 2. Frequency range : 3.5 to 160MHz

UM-1 = 3.5 to 160MHz

UM-5 = 9.6 to 160MHz

3.5MHz to 50MHz : Fundamental

**Re: 61.44MHz Fundamental Avail. (Special)**

30MHz to 100MHz : Third overtone

75MHz to 160MHz : Fifth overtone

#### 3. Load capacitance

S : Series

10 : 10pF

18 : 18pF

20 : 20pF

30 : 30pF

#### 4. Oscillation Mode

1 : Fundamental

3 : 3<sup>rd</sup> Overtone

5 : 5<sup>th</sup> Overtone

#### 5. Tolerance Options (Room Temperature)

50 : +/- 50ppm

30 : +/- 30ppm

15 : +/- 15ppm

10 : +/- 10ppm

#### 6. Stability Options (Temperature Range)

50 : +/- 50ppm

30 : +/- 30ppm

15 : +/- 15ppm

10 : +/- 10ppm

#### 7. Operating temperature range

P : 0~60°C

Q : -10~70°C

R : -30~75°C

S : -40~85°C

\* : The others

#### 8. Equivalent Series Resistance (C.I)

Fund	ERS		3 O/T	ERS	
	UM-1	UM-5		UM-1	UM-5
3.5 to 3.99	200	-	30.0 to 49.99	45	50
4.0 to 4.99	150	-	50.0 to 100.0	50	60
5.0 to 9.99	60	-	5 O/T	ERS	
10.0 to 14.99	35	45		UM-1	UM-5
15.0 to 50.0	25	35		80	90

#### 9. Packing

TR : Tape and Reel

B : Bulk