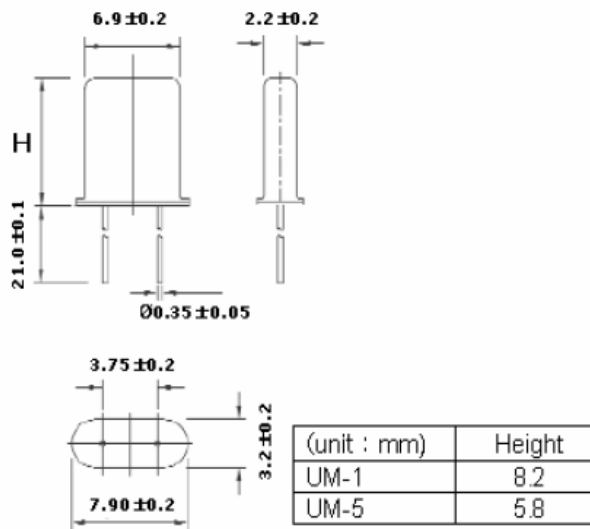


- TIGHT TOLERANCE & STABILITY, RoHS COMPLIANT DESIGN
- APPLICATION: ADSL, NETWORK CARD, A/V CARD, NETWORK PROCESSOR, ISDN

Specification

Parameter	Characteristic
Frequency Range	6MHz ~ 220MHz
Oscillation Mode	Fundamental/Third Overtone/Fifth overtone/Seventh overtone
Holder type	UM-1, UM-5
Frequency Tolerance (@ 25℃)	(See Table 5)
Frequency Stability (Ref. @ 25℃)	(See Table 6)
Equivalent Series Resistance (C.I)	(See Table 8)
Operating Temperature Range	-10 ~ +70℃ standard / -40 ~ +85℃ available
Storage Temperature Range	-40 ~ +90℃
Shunt Capacitance(Co)	7pF max
Load Capacitance(CL)	18pF standard (See Table 3)
Drive Level	10 μ W (1000 μ Wmax)
Aging(at 25℃)	\pm 5ppm / year max

Drawing



SAMJOON IND. Co., Ltd.

RM#B-408, KAJWA INDUSTRIAL COMPLEX, BONGSOO DAE-RO 141, SEO-KU, INCHEON, KOREA
 TEL: 82-32-584-6517 FAX: 82-32-584-6516

Ordering Guide																																							
Typical P/N : <u>UM-1</u> - <u>61.44M</u> - <u>18</u> - <u>1</u> <u>10</u> <u>10</u> <u>R</u> - <u>50</u> - <u>B</u> <div style="display: flex; justify-content: center; gap: 20px; margin-top: 5px;"> 1 2 3 4 5 6 7 8 9 </div>																																							
<p>1. Package UM-1 = 7.9x3.2x8.2mm UM-5 = 7.9x3.2x5.8mm (UM-1 & UM-5 Crystal Unit)</p> <p>2. Frequency range 6MHz to 220MHz</p> <p>3. Load capacitance S : Series 10 : 10pF 18 : 18pF 20 : 20pF 30 : 30pF</p> <p>4. Oscillation Mode 1 : Fundamental 3 : 3rd Overtone 5 : 5th Overtone</p>	<p>5. Tolerance Options (Room Temperature) 50 : +/- 50ppm 30 : +/- 30ppm 15 : +/- 15ppm 10 : +/- 10ppm</p> <p>6. Stability Options (Temperature Range) 50 : +/- 50ppm 30 : +/- 30ppm 15 : +/- 15ppm 10 : +/- 10ppm</p> <p>7. Operating temperature range P : 0~60℃ Q : -10~70℃ R : -30~75℃ S : -40~85℃ * : The others</p> <p>8. Equivalent Series Resistance (C.I)</p> <table border="1" style="width: 100%; border-collapse: collapse; text-align: center;"> <thead> <tr> <th rowspan="2">Fund</th> <th colspan="2">ERS</th> <th rowspan="2">3 O/T</th> <th colspan="2">ERS</th> </tr> <tr> <th>UM-1</th> <th>UM-5</th> <th>UM-1</th> <th>UM-5</th> </tr> </thead> <tbody> <tr> <td>3.5 to 3.99</td> <td>200</td> <td>-</td> <td>30.0 to 49.99</td> <td>45</td> <td>50</td> </tr> <tr> <td>4.0 to 4.99</td> <td>150</td> <td>-</td> <td>50.0 to 100.0</td> <td>50</td> <td>60</td> </tr> <tr> <td>5.0 to 9.99</td> <td>60</td> <td>-</td> <td rowspan="3">5 O/T</td> <td colspan="2">ERS</td> </tr> <tr> <td>10.0 to 14.99</td> <td>35</td> <td>45</td> <td>UM-1</td> <td>UM-5</td> </tr> <tr> <td>15.0 to 50.0</td> <td>25</td> <td>35</td> <td>80</td> <td>90</td> </tr> </tbody> </table> <p>9. Packing TR : Tape and Reel B : Bulk</p>	Fund	ERS		3 O/T	ERS		UM-1	UM-5	UM-1	UM-5	3.5 to 3.99	200	-	30.0 to 49.99	45	50	4.0 to 4.99	150	-	50.0 to 100.0	50	60	5.0 to 9.99	60	-	5 O/T	ERS		10.0 to 14.99	35	45	UM-1	UM-5	15.0 to 50.0	25	35	80	90
Fund	ERS		3 O/T	ERS																																			
	UM-1	UM-5		UM-1	UM-5																																		
3.5 to 3.99	200	-	30.0 to 49.99	45	50																																		
4.0 to 4.99	150	-	50.0 to 100.0	50	60																																		
5.0 to 9.99	60	-	5 O/T	ERS																																			
10.0 to 14.99	35	45		UM-1	UM-5																																		
15.0 to 50.0	25	35		80	90																																		