

■ Features

- Miniature Package
- 2.5mm Height
- Long Term Stability
- Tape and Reel (3kpcs STD)

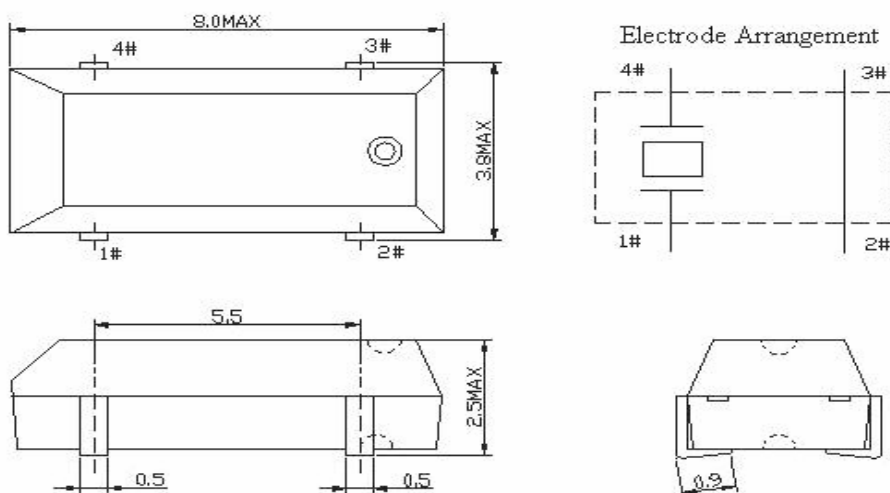
■ Stand Specification

Parameter	Characteristic
Frequency (fo)	32.768KHz
Frequency Tolerance @25°C (Δ f/fo)	±20ppm max
Frequency Stability Temperature coefficient(K)	-0.04ppm/(Δ °C) ² max
Temperature Range	
Turnover(To)	+20°C ~ +30°C
Operating(Topr)	-40°C ~ +85°C max
Storage(Tstg)	-55°C ~ +125°C max
Equivalent Series Resistance(Rs)	50kΩ max
Load Capacitance(CL)	12.5pF(Standard) 6pF(Otional)
Insulation Resistance	500MΩ min(@100Vdc)
Drive Level(D.L)	1.0μW max
Aging per Year(Δ f/fo)	±3ppm max (+25°C ±3°C, First year)
Terminal Finish	100% Sn

■ Part Number

Item part Number	CL	Stability(S.T.D)	Frequency
TFS8038-125	12.5pF	-0.04ppm/(Δ °C) ²	32.768KHz
TFS8038-60	6.0pF		

■ Drawing



Note : Do not connect #2 and #3 to external device and GND.