

■ Features

- Compact tubular Package
- Long Term Stability
- Low Cost

■ Stand Specification

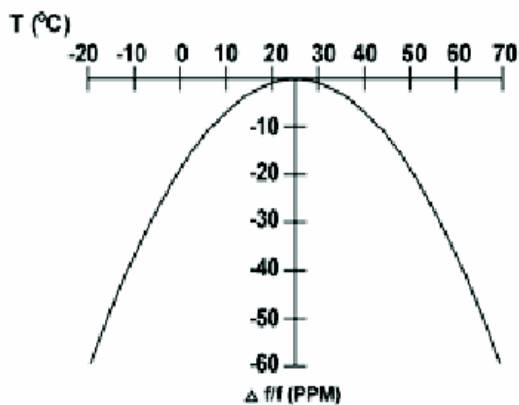
Parameter	Characteristic
Frequency (fo)	32.768KHz
Frequency Tolerance @25°C (Δ f/fo)	±20ppm max
Frequency Stability Temperature coefficient(K)	-0.04ppm/(Δ°C) ² max
Temperature Range	
Turnover(To)	+20°C ~ +30°C
Operating(Topr)	-20°C ~ +60°C max
Storage(Tstg)	-30°C ~ +70°C max
Equivalent Series Resistance(Rs)	50kΩ max
Load Capacitance(CL)	12.5pF(Standard)
Insulation Resistance	500MΩ min(@100Vdc)
Drive Level(D.L)	1.0μW max
Aging per Year(Δ f/fo)	±5ppm max (+25°C ±3°C, First year)

■ Part Number

Item part Number	CL	Stability(S.T.D)	Frequency
TFC6020-125	12.5pF	-0.04ppm/(Δ°C) ²	32.768KHz

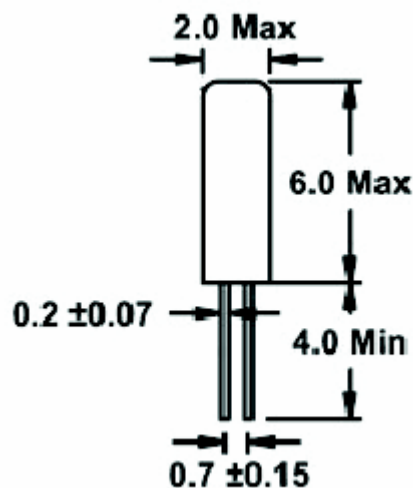
■ Drawing

Parabolic Temperature Curve



To determine frequency stability, use parabolic curvature (K).
 For example: What is stability at 45°C?

- 1) Change in T (°C) = 45-25 = 20°C
- 2) Change in frequency = -0.04 PPM * (Δ C)²
 = -0.04 PPM * (20)²
 = -16.0 PPM



SAMJOON IND. Co., Ltd.

501 DAEMAEK PLAZA, SANG-DONG WONMI-KU, BUCHEON, KYUNGKI-DO KOREA ZIP : 420-031
 ♦ Tel:+82-32-326-8163 & 326-8164 ♦ Fax:+82-32-326-8162 ♦ Web site: www.samjoon.com