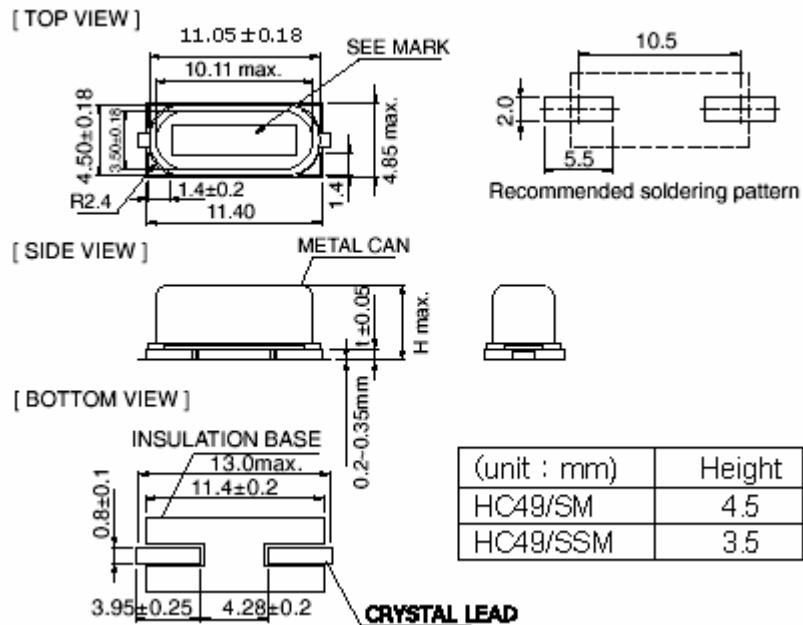


- TIGHT TOLERANCE & STABILITY, RoHS COMPLIANT DESIGN
- APPLICATION: ADSL, NETWORK CARD, A/V CARD, NETWORK PROCESSOR, ISDN

Specification

Parameter	Characteristic
Frequency Range	3.5MHz ~ 80.000MHz
Oscillation Mode	Fundamental / Third overtone
Holder type	HC49/SM, HC49/SSM
Frequency Tolerance (@ 25℃)	(See Table 5)
Frequency Stability (Ref. @ 25℃)	(See Table 6)
Equivalent Series Resistance (C.I)	(See Table 8)
Operating Temperature Range	-10 ~ +70℃ standard / -40 ~ +85℃ available
Storage Temperature Range	-40 ~ +90℃
Shunt Capacitance(Co)	7pF max
Load Capacitance(CL)	18pF standard (See Table 3)
Drive Level	10 μ W (1000 μ Wmax)
Aging(at 25℃)	\pm 5ppm / year max

Drawing



SAMJOON IND. Co., Ltd.

501 DAEMAEK PLAZA, SANG-DONG WONMI-KU, BUCHEON, KYUNGKI-DO KOREA ZIP : 420-031

◆ Tel:+82-32-326-8163 & 326-8164 ◆ Fax:+82-32-326-8162 ◆ Web site: www.samjoon.com

Ordering Guide

Typical P/N : HC49/SM - 25M - 18 - 1 20 30 Q - 30 - TR

1 2 3 4 5 6 7 8 9

1. Package

HC49/SM = 11.4x4.85x4.5mm

HC49/SSM = 11.4x4.85x3.5mm

 * HC49/SSM : HC49/S **Slim** SMD type

(HC49/S SMD & HC49/SS SMD Crystal Unit)

2. Frequency range : 3.5 to 80MHz

3.5MHz to 39.999MHz : Fundamental

26MHz to 80MHz : Third overtone

3. Load capacitance

S : Series

10 : 10pF

18 : 18pF

20 : 20pF

30 : 30pF

4. Oscillation Mode

1 : Fundamental

 3 : 3rd Overtone

5. Tolerance Options (Room Temperature)

50 : +/- 50ppm

30 : +/- 30ppm

15 : +/- 15ppm

10 : +/- 10ppm

6. Stability Options (Temperature Range)

50 : +/- 50ppm

30 : +/- 30ppm

15 : +/- 15ppm

10 : +/- 10ppm

7. Operating temperature range

P : 0~60℃

Q : -10~70℃

R : -30~75℃

S : -40~85℃

* : The others

8. Equivalent Series Resistance (C.I)

Fundamental	ERS	3rd Overtone	ERS
3.5MHz to 3.799MHz	180	26MHz to 39.999MHz	80
3.8MHz to 4.999MHz	150	40MHz to 80MHz	70
5MHz to 5.999MHz	120		
6MHz to 7.999MHz	80		
8MHz to 9.999MHz	60		
10MHz to 19.999MHz	40		
20MHz to 39.999MHz	30		

9. Packing

TR : Tape and Reel

B : Bulk