

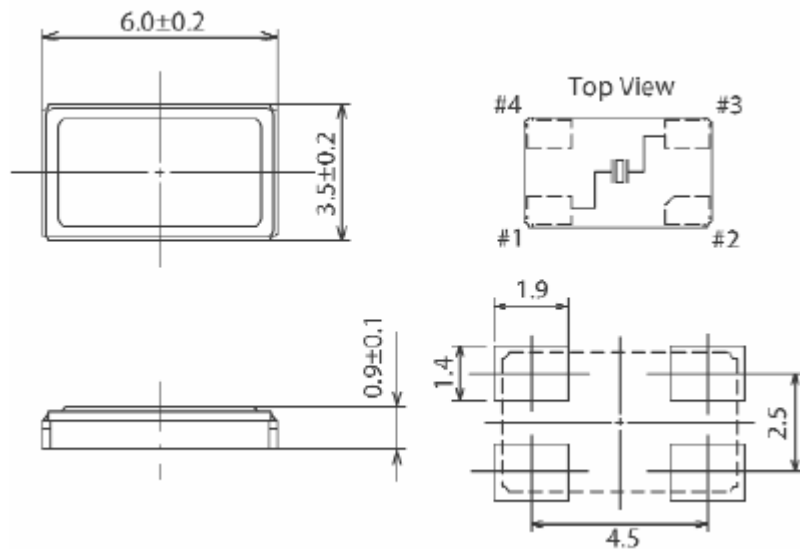
- CERAMIC SMD PACKAGE, SEAM SEALED, RoHS COMPLIANT DESIGN
- APPLICATION: BLUETOOTH, MP3, PDA, USB, WIRELESS LAN, CELLULAR



Specification

Parameter	Characteristic
Frequency Range	9.000MHz ~ 50.000MHz
Oscillation Mode	Fundamental
Holder type	CX6035
Frequency Tolerance (@ 25℃)	(See Table 5)
Frequency Stability (Ref. @ 25℃)	(See Table 6)
Equivalent Series Resistance (C.I)	60 Ω max. (See Table 8)
Operating Temperature Range	-10 ~ +70℃ standard / -40 ~ +85℃ available
Storage Temperature Range	-40 ~ +90℃
Shunt Capacitance(Co)	5pF max
Load Capacitance(CL)	18pF standard (See Table 3)
Drive Level	100μW max
Aging(at 25℃)	±5ppm / year max

Drawing



Pin connection

1. Crystal
2. GND
3. Crystal
4. GND

SAMJOON IND. Co., Ltd.

501 DAEMA EK PLAZA, SANG-DONG WONMI-KU, BUCHEON, KYUNGKI-DO KOREA ZIP : 420-031

◆ Tel:+82-32-326-8163 & 326-8164 ◆ Fax:+82-32-326-8162 ◆ Web site: www.samjoon.com

Ordering Guide

Typical P/N : CX6035 - 9M - 20 - 1 10 15 Q - 60 - TR

1 2 3 4 5 6 7 8 9

1. Package CX6035 = 6.0x3.5x0.9mm

(6.0x3.5mm Ceramic SMD Crystal Unit)

2. Frequency range : 9 to 50MHz

3. Load capacitance

S : Series

10 : 10pF

18 : 18pF

20 : 20pF

30 : 30pF

4. Oscillation Mode

1 : Fundamental

3 : 3rd Overtone

5. Tolerance Options (Room Temperature)

50 : +/- 50ppm

30 : +/- 30ppm

15 : +/- 15ppm

10 : +/- 10ppm

6. Stability Options (Temperature Range)

50 : +/- 50ppm

30 : +/- 30ppm

15 : +/- 15ppm

10 : +/- 10ppm

7. Operating temperature range

P : 0~60℃

Q : -10~70℃

R : -30~75℃

S : -40~85℃

* : The others

8. Equivalent Series Resistance (C.I)

9MHz ≤ F < 10MHz : 60 ohms max

10MHz ≤ F < 12MHz : 50 ohms max

12MHz ≤ F < 25MHz : 40 ohms max

25MHz ≤ F ≤ 50MHz : 30 ohms max

9. Packing

TR : Tape and Reel

B : Bulk